

Monteringsmateriel

*Installation
Materials*





Assalub har egna montörer med stor erfarenhet, vilket garanterar ett professionellt utfört montagearbete.

Assalub has a staff of own installation engineers, which guarantees that all installation work is done professionally.

Rörsatser, kompletta för 1 m rör

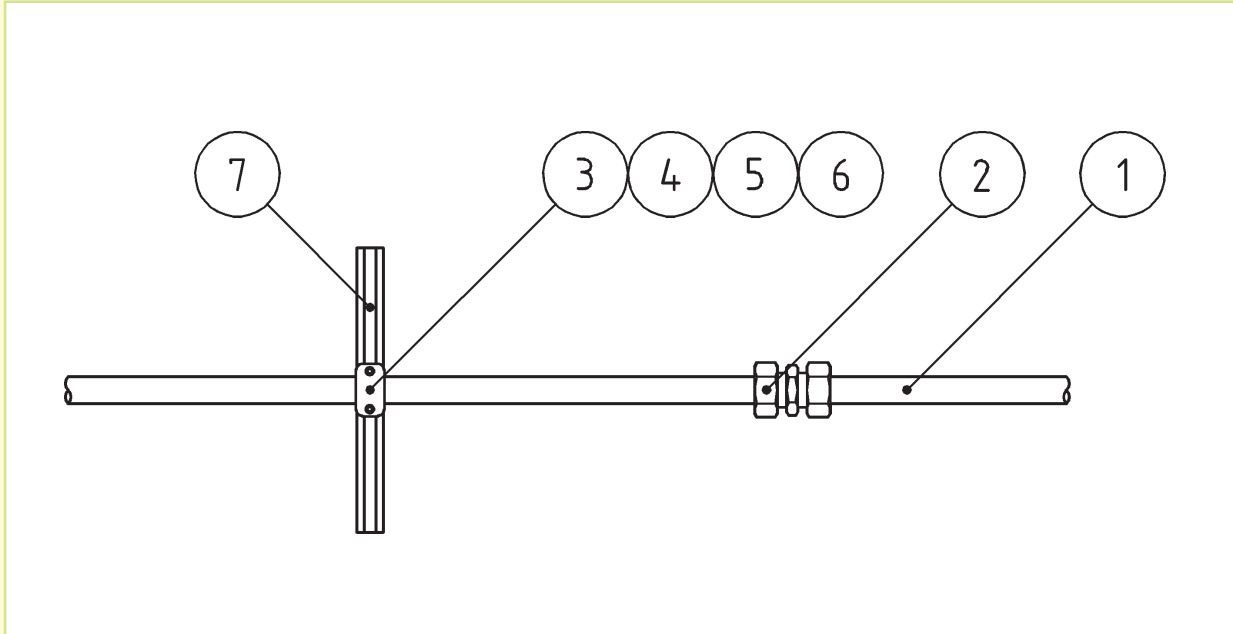
Finns för fem olika rördimensioner. Nedanstående tabell visar vad som ingår i varje komplett artikelnummer.

| | |
|-----------|-----------------|
| 12x1 FZ | Art.nr: 0102333 |
| 22x2 FZ | Art.nr: 0102334 |
| 28x2,5 FZ | Art.nr: 0102335 |
| 30x4 FZ | Art.nr: 0102336 |
| 22x2 SS | Art.nr: 0102337 |

Tube kits, complete for 1 m tube

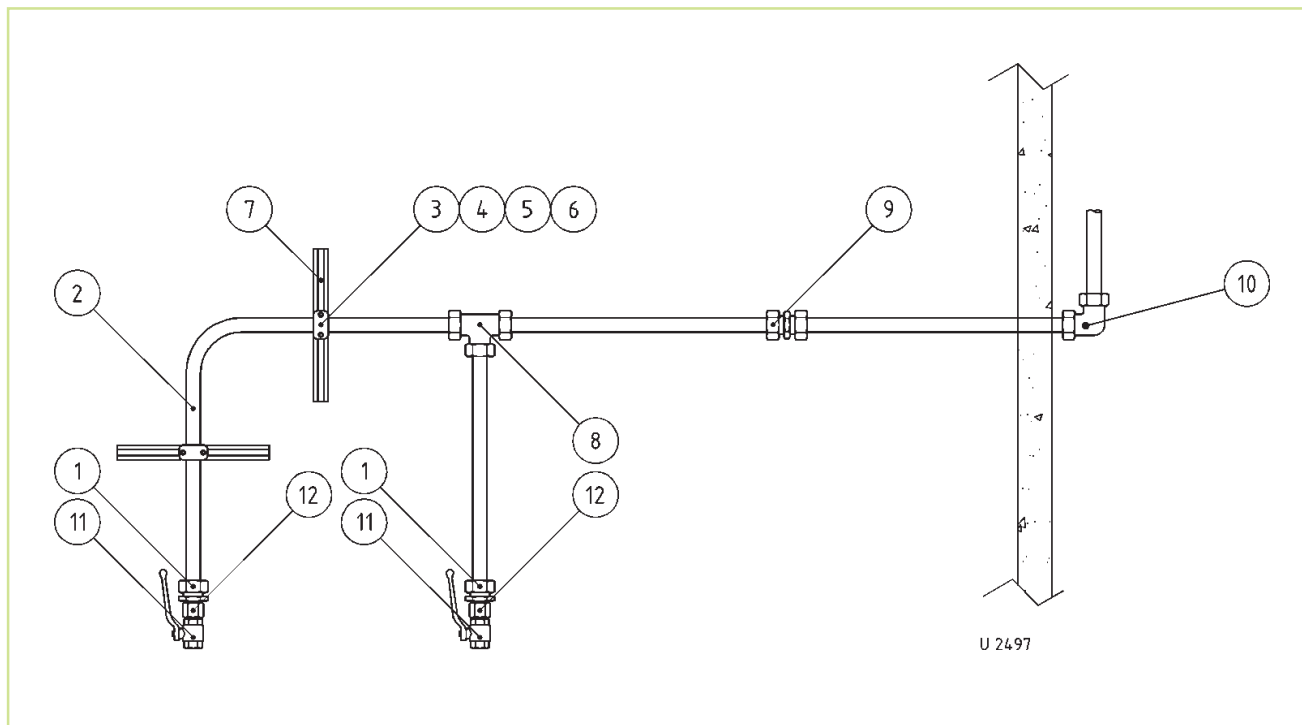
Available for five different tube dimensions. The table below shows what each complete tube kit number comprises.

| | |
|-----------|-----------------|
| 12x1 FZ | Art.No: 0102333 |
| 22x2 FZ | Art.No: 0102334 |
| 28x2,5 FZ | Art.No: 0102335 |
| 30x4 FZ | Art.No: 0102336 |
| 22x2 SS | Art.No: 0102337 |



Antal (st/m) för varje komplett rörsats med art.nr:
Qty. (pcs/m) for each complete tubekit with art.no:

| Pos. | Artikel | Article | Art.nr: Art.No: | 0102333 | 0102334 | 0102335 | 0102336 | 0102337 |
|------|---------------|----------------|--------------------|---------|---------|---------|---------|---------|
| 1 | Rör 12x1 FZ | Tube 12x1 Zn | 900172 | 1 | - | - | - | - |
| 1 | Rör 22x2 FZ | Tube 22x2 Zn | 3102007 | - | 1 | - | - | - |
| 1 | Rör 28x2,5 FZ | Tube 28x2,5 Zn | 3102009 | - | - | 1 | - | - |
| 1 | Rör 30x4 FZ | Tube 30x4 Zn | 903022 | - | - | - | 1 | - |
| 1 | Rör 22x2 SS | Tube 22x2 SS | 3104003 | - | - | - | - | 1 |
| 2 | G12 L FZ | G12 Zn | 903992 | 0,2 | - | - | - | - |
| 2 | G22 L FZ | G22 Zn | 3201037 | - | 0,2 | - | - | 0,2 |
| 2 | G28 L FZ | G28 Zn | 3201039 | - | - | 0,2 | - | - |
| 2 | G30 S FZ | G30 Zn | 3201156 | - | - | - | 0,2 | - |
| 3 | Rörhållare 12 | Tube holder 12 | 3413001 | 0,5 | - | - | - | - |
| 3 | Rörhållare 22 | Tube holder 22 | 3413002 | - | 0,5 | - | - | 0,5 |
| 3 | Rörhållare 28 | Tube holder 28 | 3413004 | - | - | 0,5 | - | - |
| 3 | Rörhållare 30 | Tube holder 30 | 3413032 | - | - | - | 0,5 | - |
| 4 | Skruv 6x20 FZ | Screw 6x20 Zn | 903370 | 0,5 | - | - | - | - |
| 4 | Skruv 6x30 FZ | Screw 6x20 Zn | 3402021 | - | 1 | - | - | - |
| 4 | Skruv 6x35 FZ | Screw 6x20 Zn | 3402023 | - | - | 1 | 1 | - |
| 4 | Skruv 6x30 SS | Screw 6x30 SS | 3404030 | - | - | - | - | 1 |
| 5 | O-ring | O-ring | 902767 | 0,5 | 1 | 1 | 1 | 1 |
| 6 | T-mutter | T-nut | 902766 | 0,5 | 1 | 1 | 1 | 1 |
| 7 | C-skena | C-rail | 902765 | 0,04 | 0,05 | 0,05 | 0,05 | 0,05 |



| Installationsdetaljer för luftledningar. Rör 12x1 mm. | | Installation materials for air-lines. Tube 12x1 mm. | |
|--|--|--|--------------------|
| Pos Item | Beskrivning | Description | Art.nr: Art.No: |
| 1 | GE 12 L ISO-G1/4 FZ GE 12 L ISO-G1/2 FZ | GE 12 L ISO-G1/4 Zn GE 12 L ISO-G1/2 Zn | 3201019 903999 |
| 2 | Rör 12x1 Rostfritt SS2333 | Tube 12x1 Stainless AISI 304 | 3104002 |
| 3 | Rörhållare 112 | Tube clamp 112 | 3413001 |
| 4 | Skruv MCS 6x20 | Screw MCS 6x20 | 903370 |
| 5 | T-mutter | T-nut | 902766 |
| 6 | O-ring | O-ring | 902767 |
| 7 | L-skena | Support rail | 902765 |
| 8 | T 12 L FZ | T 12 L Zn | 3201004 |
| 9 | G 12 L FZ | G 12 L Zn | 903992 |
| 10 | W 12 L FZ | W 12 L Zn | 904058 |
| 11 | Kulventil 1/4" | Ball valve 1/4" | 0904936 |

| Installationsdetaljer för oljeledningar. Rör 22x2 mm. För rörlängd 0-50 m. | | Installation materials for oil-lines. Tube 22x2 mm. For tubing lengths 0-50 m. | |
|---|--|---|--------------------|
| Pos Item | Beskrivning | Description | Art.nr: Art.No: |
| 1 | GE 22 L ISO-G1/2 FZ GE 22 L ISO-G3/4 FZ | GE 22 L ISO-G1/2 Zn GE 22 L ISO-G3/4 Zn | 3201172 3201115 |
| 2 | Rör 22x2 FZ | Tube 22x2 Zn | 3102007 |
| 3 | Rörhållare 322 | Tube clamp 322 | 3413002 |
| 4 | Skruv MCS 6x30 | Screw MCS 6x30 | 3402021 |
| 5 | T-mutter | T-nut | 902766 |
| 6 | O-ring | O-ring | 902767 |
| 7 | L-skena | Support rail | 902765 |
| 8 | T 22 L FZ | T 22 L Zn | 3201005 |
| 9 | G 22 L FZ | G 22 L Zn | 3201037 |
| 10 | W 22 L FZ | W 22 L Zn | 3201209 |
| 11 | Kulventil 1/2" | Ball valve 1/2" | 0230244 |
| 11 | Kulventil 3/4" | Ball valve 3/4" | 0230245 |

| Installationsdetaljer för oljeledningar. Rör 28x2 mm. För rörlängd 50-100 m. | | Installation materials for oil lines. Tube 28x2 mm. For tubing lengths 50-100 m. | |
|--|---------------------|--|--------------------|
| Pos Item | Beskrivning | Description | Art.nr: Art.No: |
| 1 | GE 28 L ISO-G3/4 FZ | GE 28 L ISO-G3/4 Zn | 3201159 |
| | GE 28 L ISO-G1 FZ | GE 28 L ISO-G1 Zn | 3201134 |
| 2 | Rör 28x2 FZ | Tube 28x2 Zn | 906979 |
| 3 | Rörhållare 428 | Tube clamp 428 | 3413004 |
| 4 | Skruv MCS 6x35 | Screw MCS 6x35 | 3402023 |
| 5 | T-mutter | T-nut | 902766 |
| 6 | O-ring | O-ring | 902767 |
| 7 | L-skena | Support rail | 902765 |
| 8 | T 28 L FZ | T 28 L Zn | 3201008 |
| 9 | G 28 L FZ | G 28 L Zn | 3201039 |
| 10 | W 28 L FZ | W 28 L Zn | 3201220 |
| 11 | Kulventil 1/2" | Ball valve 1/2" | 0230244 |
| 11 | Kulventil 3/4" | Ball valve 3/4" | 0230245 |

| Installationsdetaljer för fettledningar. Rör 30x4 mm. För rörlängd 0-40 m. | | Installation materials for grease lines. Tube 30x4 mm. For tubing lengths 0-40 m. | |
|--|---------------------|---|--------------------|
| Pos Item | Beskrivning | Description | Art.nr: Art.No: |
| 1 | GE 30 S ISO-G3/4 FZ | GE 30 S ISO-G3/4 Zn | 903056 |
| 2 | Rör 30x4 FZ | Tube 30x4 Zn | 903022 |
| 3 | Rörhållare 430 | Tube clamp 430 | 3413032 |
| 4 | Skruv MCS 6x40 | Screw MCS 6x40 | 906172 |
| 5 | T-mutter | T-nut | 902766 |
| 6 | O-ring | O-ring | 902767 |
| 7 | L-skena | Support rail | 902765 |
| 8 | T 30 S FZ | T 30 S Zn | 3201009 |
| 9 | G 30 S FZ | G 30 S Zn | 3201156 |
| 10 | W 30 S FZ | W 30 S Zn | 906431 |
| 11 | Kulventil 1/2" | Ball valve 1/2" | 0904901 |
| 11 | Kulventil 1/4" | Ball valve 1/4" | 0230245 |
| 12 | RI 1/2" - 3/4" FZ | RI 1/2" - 3/4" Zn | 906220 |

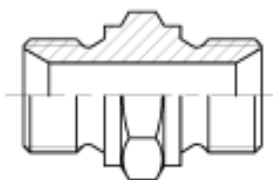
| Installationsdetaljer för aggressiva vätskor. Rör 22x2 mm. För rörlängd 0-250 m. | | Installation materials for aggressive fluids. Tube 22x2 mm. For tubing lengths 0-250 m. | |
|--|---------------------------|---|--------------------|
| Pos Item | Beskrivning | Description | Art.nr: Art.No: |
| 1 | GE 22 L ISO-G1/2 SF | GE 22 L ISO-G1/2 Acid-proof | 906430 |
| 2 | Rör 22x2 Rostfritt SS2333 | Tube 22x2 Stainless AISI 304 | 3102007 |
| 3 | Rörhållare 322 | Tube clamp 322 | 3413032 |
| 4 | Skruv MCS 6x30 SS2343 | Screw MCS 6x30 AISI 316 | 3404030 |
| 5 | T-mutter | T-nut | 902766 |
| 6 | O-ring | O-ring | 902767 |
| 7 | L-skena | Support rail | 902765 |
| 8 | T 22 L SF, SS2343 | T 22 L Acid-proof, AISI 316 | 3204005 |
| 9 | G 22 L SF, SS2343 | G 22 L Acid-proof, AISI 316 | 3204037 |
| 10 | W 22 L SF, SS2343 | W 22 L Acid-proof, AISI 316 | 906429 |
| 11 | Kulventil 1/2" | Ball valve 1/2" | 0230244 |
| 11 | Kulventil 3/4" | Ball valve 3/4" | 0230245 |

Material och ytbehandling

Standard är elförzinkat stål (FZ) där ej annat anges.

Material and surface treatment

Standard is zinc-coated steel (Zn) where not other is mentioned.



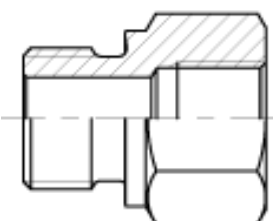
| Adapter, Utv. ISO-G - Utv. ISO-G Adapter, Male ISO-G - Male ISO-G | | Art.nr: Art.No: | |
|--|--------|---------------------------------------|--------|
| 1/4" | - 1/4" | 904757 | |
| 1/4" | - 1/2" | 906427 | |
| 1/4" | - 3/4" | 906547 | |
| 3/8" | - 3/8" | 906715 | |
| 3/8" | - 1/2" | 0018918 | |
| 3/8" | - 5/8" | SKÖ1950/III | |
| 1/2" | - 1/2" | 904104 | |
| 1/2" | - 3/4" | 0018919 | |
| 3/4" | - 1" | 0230280 | |
| 1" | - 1" | 0904974 | |
| 1/4" | - 1/4" | Syrafast SS2343 / Acid-proof AISI 316 | 902958 |
| 3/8" | - 1/2" | Syrafast SS2343 / Acid-proof AISI 316 | 902992 |
| 1/2" | - 1/2" | Syrafast SS2343 / Acid-proof AISI 316 | 902993 |



| Adapter, Inv. rörlig ISO-G - Inv. rörlig ISO-G Adapter, female turnable ISO-G - female turnable ISO-G | | Art.nr: Art.No: | |
|--|--------|---------------------------------------|--------|
| 1/4" | - 1/4" | 902902 | |
| 1/4" | - 1/4" | Syrafast SS2343 / Acid-proof AISI 316 | 902960 |
| 3/8" | - 3/8" | Syrafast SS2343 / Acid-proof AISI 316 | 902991 |



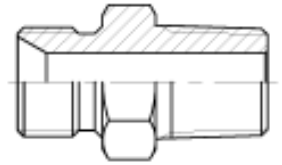
| Adapter, Utv. ISO-G - Inv. rörlig ISO-G Adapter, male ISO-G - female turnable ISO-G | | Art.nr: Art.No: |
|--|--------|--------------------|
| 1/4" | - 1/4" | 902498 |
| 3/8" | - 1/2" | 904122 |
| 1/2" | - 1/2" | 904099 |



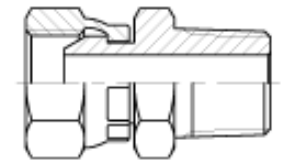
| Adapter, Utv. ISO-G - Inv. ISO-G Adapter, male ISO-G - female ISO-G | | Art.nr: Art.No: | |
|--|--------|--------------------|---------|
| 1/8" | - 1/4" | 3201088 | |
| 1/4" | - 1/8" | 904103 | |
| 3/8" | - 1/4" | 3201120 | |
| 3/8" | - 1/2" | 904094 | |
| 1/2" | - 1/4" | Kort / Short | 3201200 |
| 1/2" | - 4/4" | 906220 | |
| 3/4" | - 1/2" | 3201092 | |
| 3/4" | - 1" | 3201198 | |
| 1" | - 3/4" | 3201199 | |

| Muff, Inv. ISO-G - Inv. ISO-G Sleeve, female ISO-G - female ISO-G | | Art.nr: Art.No: |
|--|--------|--------------------|
| 1/8" | - 1/8" | 1117085 |
| 1/4" | - 1/4" | 906441 |
| 1/2" | - 1/2" | 906443 |

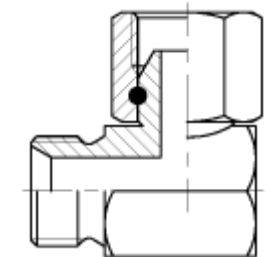
| | |
|--|----------------------------------|
| Adapter, Utv. ISO-G - Utv. ISO-R (konisk) <i>Adapter, male ISO-G - male ISO-R (tapered)</i> | Art.nr: Art.No: |
| 1/4" - 1/8" | 904128 |
| 1/4" - 1/4" | 904139 |
| 1/4" - 1/2" | 906640 |
| 3/8" - 1/2" | 906078 |
| 1/2" - 1/2" | 906545 |
| 3/4" - 3/4" | 0230263 |
| 1/2" - 3/8" | 904100 |
| 3/8" - 3/8" Syrafast SS2343 / Acid-proof AISI 316 | 902990 |



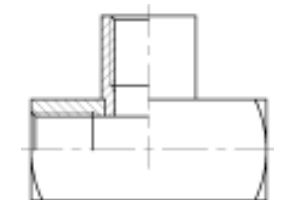
| | |
|---|----------------------------------|
| Adapter, Inv. rörlig ISO-G - Utv. NPT <i>Adapter, female turnable ISO-G - male NPT</i> | Art.nr: Art.No: |
| 3/8" - 3/8" | 906079 |



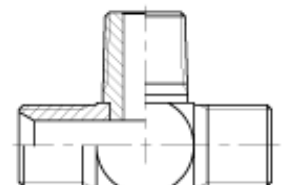
| | |
|--|----------------------------------|
| Vinkeladapter 90°, Utv. ISO-G - Inv. vridbar ISO-G <i>Elbow adapter 90°, male ISO-G - female turnable ISO-G</i> | Art.nr: Art.No: |
| 1/4" - 1/4" | 902483 |
| 1/2" - 1/2" | 906714 |
| 3/4" - 3/4" | 904101 |



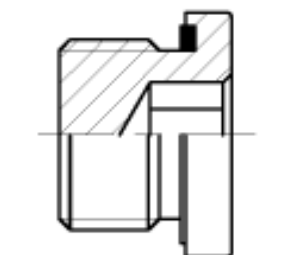
| | |
|---|----------------------------------|
| T-adapter, Inv. ISO-G - Inv. ISO-G - Inv. ISO-G <i>T-adapter, female ISO-G - female ISO-G - female ISO-G</i> | Art.nr: Art.No: |
| 1/8" - 1/8" - 1/8" | 906580 |

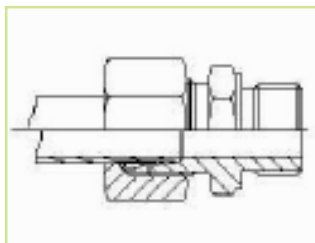


| | |
|---|----------------------------------|
| T-adapter, Utv. ISO-G - Utv. ISO-R - Utv. ISO-G <i>T-adapter, male ISO-G - male ISO-R - male ISO-G</i> | Art.nr: Art.No: |
| 1/4" - 1/4" | 902901 |



| | |
|-------------------------------|--|
| | Art.nr: Art.No: |
| Insexplugg Utv ISO-G1/4 FZ | Allen wrench plug male ISO-G1/4 Zn 906582 |
| Insexplugg Utv ISO-G1/4 SF | Allen wrench plug make ISO-G1/4 AISI 906581 |



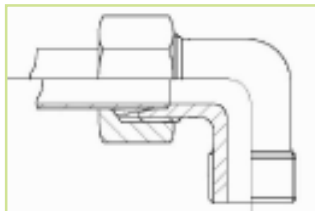


Skärningskopplingar

Cut ring couplings

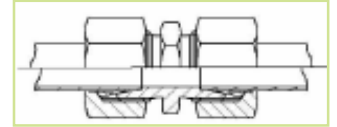
| Rak inskravningskoppling, typ GE | Art.nr: | Straight coupling type GE | Art.No: |
|----------------------------------|---------|---------------------------|---------|
| GE 4 LL NPT 1/8 FZ | 903996 | GE 4 LL NPT 1/8 Zn | 903996 |
| GE 4 LL M8x1 FZ | 3201012 | GE 4 LL M8x1 Zn | 3201012 |
| GE 4 LL ISO-R1/8 FZ | 903995 | GE 4 LL ISO-R1/8 Zn | 903995 |
| GE 6 L M14x1,5 FZ | 904330 | GE 6 L M14x1,5 Zn | 904330 |
| GE 6 L M16x1,5 FZ | 903978 | GE 6 L M16x1,5 Zn | 903978 |
| GE 6 L NPT 1/8 SF | 3204017 | GE 6 L NPT 1/8 AISI 316 | 3204017 |
| GE 6 LL M10x1 FZ | 3201110 | GE 6 LL M10x1 Zn | 3201110 |
| GE 6 LL M6x1 FZ | 3201173 | GE 6 LL M6x1 Zn | 3201173 |
| GE 6 LL M8x1 FZ | 906094 | GE 6 LL M8x1 Zn | 906094 |
| GE 6 LL ISO-G1/8 SF | 3204014 | GE 6 LL ISO-G1/8 AISI 316 | 3204014 |
| GE 6 LL ISO-R1/8 FZ | 903997 | GE 6 LL ISO-R1/8 Zn | 903997 |
| GE 6 L M10x1 FZ | 904808 | GE 6 L M10x1 Zn | 904808 |
| GE 6 L ISO-G1/4 FZ | 906143 | GE 6 L ISO-G1/4 Zn | 906143 |
| GE 6 L ISO-G1/4 SF | 903013 | GE 6 L ISO-G1/4 AISI 316 | 903013 |
| GE 6 L ISO-G1/8 FZ | 900016 | GE 6 L ISO-G1/8 Zn | 900016 |
| GE 6 L ISO-G1/8 SF | 3204200 | GE 6 L ISO-G1/8 AISI 316 | 3204200 |
| GE 6 S ISO-G1/4 FZ | 903998 | GE 6 S ISO-G1/4 Zn | 903998 |
| GE 6 S ISO-G1/4 SF | 3204015 | GE 6 S ISO-G1/4 AISI 316 | 3204015 |
| GE 6 S ISO-G1/8 SF | 3204018 | GE 6 S ISO-G1/8 AISI 316 | 3204018 |
| GE 8 LL M10x1 FZ | 904814 | GE 8 LL M10x1 Zn | 904814 |
| GE 8 LL ISO-G1/4 FZ | 904002 | GE 8 LL ISO-G1/4 Zn | 904002 |
| GE 8 LL ISO-G1/8 FZ | 904003 | GE 8 LL ISO-G1/8 Zn | 904003 |
| GE 8 LL ISO-G1/8 SF | 903001 | GE 8 LL ISO-G1/8 AISI 316 | 903001 |
| GE 8 L ISO-R1/4 FZ | 3201017 | GE 8 L ISO-R1/4 Zn | 3201017 |
| GE 8 L ISO-G1/4 SF | 902994 | GE 8 L ISO-G1/4 AISI 316 | 902994 |
| GE 8 L ISO-G1/4 FZ | 904004 | GE 8 L ISO-G1/4 Zn | 904004 |
| GE 8 L ISO-G3/8 SF | 904728 | GE 8 L ISO-G3/8 AISI 316 | 904728 |
| GE 8 L ISO-G3/8 FZ | 904005 | GE 8 L ISO-G3/8 Zn | 904005 |
| GE 8 L ISO-R1/2 FZ | 3201021 | GE 8 L ISO-R1/2 Zn | 3201021 |
| GE 8 S M14x1,5 FZ | 904807 | GE 8 S M14x1,5 Zn | 904807 |
| GE 8 S ISO-G1/4 SF | 3204300 | GE 8 S ISO-G1/4 AISI 316 | 3204300 |
| GE 8 S ISO-G1/4 FZ | 904001 | GE 8 S ISO-G1/4 Zn | 904001 |
| GE 10 L M10x1 FZ | 904332 | GE 10 L M10x1 Zn | 904332 |
| GE 10 L M14x1,5 FZ | 904813 | GE 10 L M14x1,5 Zn | 904813 |
| GE 10 LL ISO-R1/4 FZ | 904831 | GE 10 LL ISO-R1/4 Zn | 904831 |
| GE 10 L ISO-G1/2 FZ | 903983 | GE 10 L ISO-G1/2 Zn | 903983 |
| GE 10 L ISO-R1/4 FZ | 3201018 | GE 10 L ISO-R1/4 Zn | 3201018 |
| GE 10 L ISO-G1/4 SF | 903981 | GE 10 L ISO-G1/4 AISI 316 | 903981 |
| GE 10 L ISO-G1/4 FZ | 904007 | GE 10 L ISO-G1/4 Zn | 904007 |
| GE 10 L ISO-G3/8 SF | 3204011 | GE 10 L ISO-G3/8 AISI 316 | 3204011 |
| GE 10 L ISO-G3/8 FZ | 904006 | GE 10 L ISO-G3/8 Zn | 904006 |
| GE 10 S M14x1,5 FZ | 904008 | GE 10 S M14x1,5 Zn | 904008 |
| GE 10 S ISO-G1/4 SF | 906661 | GE 10 S ISO-G1/4 AISI 316 | 906661 |
| GE 12 L ISO-R1/2 SS | 906081 | GE 12 L ISO-R1/2 AISI 316 | 906081 |
| GE 12 LL ISO-G1/4 FZ | 904010 | GE 12 LL ISO-G1/4 Zn | 904010 |
| GE 12 L M14x1,5 FZ | 904331 | GE 12 L M14x1,5 Zn | 904331 |
| GE 12 L ISO-G1/2 FZ | 903999 | GE 12 L ISO-G1/2 Zn | 903999 |
| GE 12 L ISO-G1/2 SF | 3204025 | GE 12 L ISO-G1/2 AISI 316 | 3204025 |
| GE 12 L ISO-G1/4 FZ | 3201019 | GE 12 L ISO-G1/4 Zn | 3201019 |
| GE 12 L ISO-G1/4 SF | 3204019 | GE 12 L ISO-G1/4 AISI 316 | 3204019 |
| GE 12 L ISO-G1/8 SF | 3204021 | GE 12 L ISO-G1/8 AISI 316 | 3204021 |
| GE 12 L ISO-G3/8 SF | 3204020 | GE 12 L ISO-G3/8 AISI 316 | 3204020 |
| GE 12 L ISO-G3/8 FZ | 904009 | GE 12 L ISO-G3/8 Zn | 904009 |
| GE 12 S ISO-G1/4 SF | 3204022 | GE 12 S ISO-G1/4 AISI 316 | 3204022 |
| GE 12 S ISO-G3/8 FZ | 3201242 | GE 12 S ISO-G3/8 Zn | 3201242 |
| GE 12 S ISO-G1/4 FZ | 906337 | GE 12 S ISO-G1/4 Zn | 906337 |
| GE 15 L ISO-G1/2 SF | 3204013 | GE 15 L ISO-G1/2 AISI 316 | 3204013 |

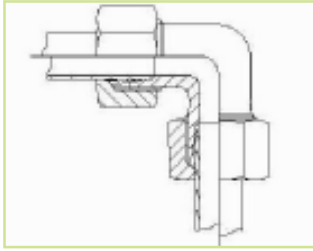
| | | | |
|---------------------|----------------|---------------------------|----------------|
| GE 15 L ISO-G1/2 FZ | 904012 | GE 15 L ISO-G1/2 Zn | 904012 |
| GE 15 ISO-G1/2 MSG | 906309 | GE 15 ISO-G1/2 Brass | 906309 |
| GE 16 S ISO-G1/2 FZ | 3201135 | GE 16 S ISO-G1/2 Zn | 3201135 |
| GE 18 L ISO-G1/2 SF | 3204301 | GE 18 L ISO-G1/2 AISI 316 | 3204301 |
| GE 18 L ISO-G1/2 FZ | 3201153 | GE 18 L ISO-G1/2 Zn | 3201153 |
| GE 20 S ISO-G1 FZ | 3201132 | GE 20 S ISO-G1 Zn | 3201132 |
| GE 22 L ISO-G1/2 FZ | 3201172 | GE 22 L ISO-G1/2 Zn | 3201172 |
| GE 22 L ISO-G1/2 SF | 906430 | GE 22 L ISO-G1/2 AISI 316 | 906430 |
| GE 22 L ISO-G1FZ | 3201130 | GE 22 L ISO-G1 Zn | 3201130 |
| GE 22 L ISO-G1 SF | 906593 | GE 22 L ISO-G1 AISI 316 | 906593 |
| GE 22 L ISO-G3/4 FZ | 3201115 | GE 22 L ISO-G3/4 Zn | 3201115 |
| GE 22 L ISO-G3/4 SF | 3204023 | GE 22 L ISO-G3/4 AISI 316 | 3204023 |
| GE 25 S ISO-G3/4 SF | 3204012 | GE 25 S ISO-G3/4 AISI 316 | 3204012 |
| GE 25 S ISO-G3/4 FZ | 3201129 | GE 25 S ISO-G3/4 Zn | 3201129 |
| GE 25 S ISO-G1FZ | 3201131 | GE 25 S ISO-G1 Zn | 3201131 |
| GE 25 S ISO-G1/2 SF | 906659 | GE 25 S ISO-G1/2 AISI 316 | 906659 |
| GE 28 L ISO-G1 SF | 3204016 | GE 28 L ISO-G1 AISI 316 | 3204016 |
| GE 28 L ISO-G1 FZ | 3201134 | GE 28 L ISO-G1 Zn | 3201134 |
| GE 28 L ISO-G3/4 FZ | 3201159 | GE 28 L ISO-G3/4 Zn | 3201159 |
| GE 30 S ISO-G1 FZ | 906574 | GE 30 S ISO-G1 Zn | 906574 |
| GE 30 S ISO-G3/4 FZ | 903056 | GE 30 S ISO-G3/4 Zn | 903056 |
| GE 35 L ISO-G1 FZ | 907062 | GE 35 L ISO-G1 Zn | 907062 |



| 90° Vinkelinskruvnings- koppling Typ WE | Art.nr: | 90° elbow connection type WE | Art.No: |
|--|----------------|---|----------------|
| WE 4 LL NPT 1/8 FZ | 904060 | WE 4 LL NPT1/8 Zn | 904060 |
| WE 4 LL M6x1 FZ | 906022 | WE 4 LL M6x1 Zn | 906022 |
| WE 4 LL M8x1 FZ | 3201023 | WE 4 LL M8x1 Zn | 3201023 |
| WE 4 LL ISO-G1/8 FZ | 904061 | WE 4 LL ISO-G1/8 Zn | 904061 |
| WE 6 LL ISO-G1/8 FZ | 904062 | WE 6 LL ISO-G1/8 Zn | 904062 |
| WE 6 LL M10x1 FZ | 906095 | WE 6 LL M10x1 Zn | 906095 |
| WE 6 LL M6x1 FZ | 3201174 | WE 6 LL M6x1 Zn | 3201174 |
| WE 6 LL M8x1 FZ | 903009 | WE 6 LL M8x1 Zn | 903009 |
| WE 6 LL ISO-G1/8 SF | 3204024 | WE 6 LL ISO-G1/8 AISI 316 | 3204024 |
| WE 6 L M10x1 FZ | 3201025 | WE 6 LM ISO-G10x1 Zn | 3201025 |
| WE 6 L ISO-G1/8 FZ | 3201139 | WE 6 L ISO-G1/8 Zn | 3201139 |
| WE 6 L ISO-G1/8 SF | 3204090 | WE 6 L ISO-G1/8 AISI 316 | 3204090 |
| WE 6 S ISO-G1/4 SF | 3204089 | WE 6 S ISO-G1/4 AISI 316 | 3204089 |
| WE 6 S ISO-G1/4 FZ | 904065 | WE 6 S ISO-G1/4 Zn | 904065 |
| WE 8 LL ISO-G1/8 SF | 3204121 | WE 8 LL ISO-G1/8 AISI 316 | 3204121 |
| WE 8 LL ISO-G1/8 FZ | 904064 | WE 8 LL ISO-G1/8 Zn | 904064 |
| WE 8 L ISO-G1/4 FZ | 904063 | WE 8 L ISO-G1/4 Zn | 904063 |
| WE 10 L ISO-G1/4 FZ | 904069 | WE 10 L ISO-G1/4 Zn | 904069 |
| WE 10 L ISO-G1/4 SF | 906662 | WE 10 L ISO-G1/4 AISI 316 | 906662 |
| WE 12 L ISO-G1/2 SF | 3204120 | WE 12 L ISO-G1/2 AISI 316 | 3204120 |
| WE 12 L ISO-G1/4 SF | 3204119 | WE 12 L ISO-G1/4 AISI 316 | 3204119 |
| WE 12 LL ISO-G1/4 FZ | 3201137 | WE 12 LL ISO-G1/4 Zn | 3201137 |
| WE 12 L ISO-G1/2 FZ | 3201143 | WE 12 L ISO-G1/2 Zn | 3201143 |
| WE 12 L ISO-G1/4 FZ | 3201027 | WE 12 L ISO-G1/4 Zn | 3201027 |
| WE 12 L ISO-G3/8 FZ | 904071 | WE 12 L ISO-G3/8 Zn | 904071 |
| WE 12 L ISO-G3/8 SF | 3204116 | WE 12 L ISO-G3/8 AISI 316 | 3204116 |
| WE 15 L ISO-G1/2 SF | 3204118 | WE 15 L ISO-G1/2 AISI 316 | 3204118 |
| WE 15 L ISO-G1/2 FZ | 3201230 | WE 15 L ISO-G1/2 Zn | 3201230 |
| WE 16 S ISO-G3/8 FZ | 3201136 | WE 16 S ISO-G3/8 Zn | 3201136 |
| WE 18 L ISO-G1/2 SF | 3204123 | WE 18 L ISO-G1/2 AISI 316 | 3204123 |
| WE 18 L ISO-G3/8 FZ | 3201231 | WE 18 L ISO-G3/8 Zn | 3201231 |
| WE 22 L ISO-G3/4 SF | 3204117 | WE 22 L ISO-G3/4 AISI 316 | 3204117 |
| WE 22 L ISO-G3/4 FZ | 3201233 | WE 22 L ISO-G3/4 Zn | 3201233 |
| WE 28 L ISO-G1 SF | 3204122 | WE 28 L ISO-G1 AISI 316 | 3204122 |
| WE 28 L ISO-G3/4 FZ | 3201197 | WE 28 L ISO-G3/4 Zn | 3201197 |

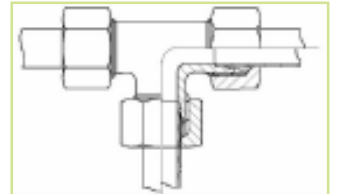
| Rak skarvkoppling, typ G | Art.nr: | Straight joint, type G | Art.No: |
|-------------------------------------|----------------|-----------------------------------|----------------|
| G 4 LL FZ | 3201031 | G 4 LL Zn | 3201031 |
| G 6 L FZ | 3201235 | G 6 L Zn | 3201235 |
| G 6 L SF | 3204201 | G 6 L AISI 316 | 3204201 |
| G 6 LL FZ | 903984 | G 6 LL Zn | 903984 |
| G 6 LL SF | 3204032 | G 6 LL AISI 316 | 3204032 |
| G 6 MSG | 903985 | G 6 Brass | 903985 |
| G 6 S SF | 3204038 | G 6 S AISI 316 | 3204038 |
| G 8 L FZ | 903986 | G 8 L Zn | 903986 |
| G 8 L SF | 3204026 | G 8 L AISI 316 | 3204026 |
| G 6 LL FZ | 903987 | G 6 LL Zn | 903987 |
| G 8 MSG | 903988 | G 8 Brass | 903988 |
| G 8 S SF | 3204040 | G 8 S AISI 316 | 3204040 |
| G 10 L FZ | 903989 | G 10 L Zn | 903989 |
| G 10 L SF | 3204028 | G 10 L AISI 316 | 3204028 |
| G 10 LL FZ | 903990 | G 10 LL Zn | 903990 |
| G 10 MSG | 903991 | G 10 Brass | 903991 |
| G 10 S SF | 906660 | G 10 S AISI 316 | 906660 |
| G 12 L FZ | 903992 | G 12 L Zn | 903992 |
| G 12 L SF | 3204034 | G 12 L AISI 316 | 3204034 |
| G 12 LL FZ | 903993 | G 12 LL Zn | 903993 |
| G 12 S FZ | 3201118 | G 12 S Zn | 3201118 |
| G 12 S SF | 3204036 | G 12 S AISI 316 | 3204036 |
| G 12/10 L FZ | 3201151 | G 12/10 L Zn | 3201151 |
| G 15 L FZ | 903994 | G 15 L Zn | 903994 |
| G 15 L SF | 3204035 | G 15 L AISI 316 | 3204035 |
| G 16 S FZ | 3201035 | G 16 S Zn | 3201035 |
| G 16 S SF | 3204197 | G 16 S AISI 316 | 3204197 |
| G 18 L FZ | 3201122 | G 18 L Zn | 3201122 |
| G 18 L SF | 3204029 | G 18 L AISI 316 | 3204029 |
| G 18/10 L FZ | 3201149 | G 18/10 L Zn | 3201149 |
| G 20 S FZ | 3201038 | G 20 S Zn | 3201038 |
| G 20 S SF | 3204041 | G 20 S AISI 316 | 3204041 |
| G 22 L FZ | 3201037 | G 22 L Zn | 3201037 |
| G 22 L SF | 3204037 | G 22 L AISI 316 | 3204037 |
| G 25 S FZ | 3201155 | G 25 S Zn | 3201155 |
| G 25 S SF | 3204030 | G 25 S AISI 316 | 3204030 |
| G 28 L FZ | 3201039 | G 28 L Zn | 3201039 |
| G 28 L SF | 3204039 | G 28 L AISI 316 | 3204039 |
| G 30 S FZ | 3201156 | G 30 S Zn | 3201156 |
| G 30 S SF | 3204031 | G 30 S AISI 316 | 3204031 |
| G 35 L SF | 3204033 | G 35 L AISI 316 | 3204033 |
| G 35 L FZ | 907061 | G 35 L Zn | 907061 |

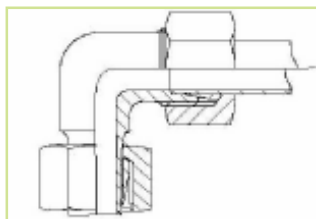




| Vinkelskarvkoppling Typ W | Art.nr: | Elbow connector, Type W | Art.No: |
|--------------------------------------|----------------|------------------------------------|----------------|
| W 4 LL FZ | 904051 | W 4 LL Zn | 904051 |
| W 6 LL FZ | 904053 | W 6 LL Zn | 904053 |
| W 6 MSG | 904052 | W 6 Brass | 904052 |
| W 8 L FZ | 904057 | W 8 L Zn | 904057 |
| W 8 L SF | 903004 | W 8 L AISI 316 | 903004 |
| W 8 LL FZ | 904054 | W 8 LL Zn | 904054 |
| W 8 MSG | 904056 | W 8 Brass | 904056 |
| W 8 S SF | 3204400 | W 8 S AISI 316 | 3204400 |
| W 12 L FZ | 904058 | W 12 L Zn | 904058 |
| W 12 L SF | 3204402 | W 12 L AISI 316 | 3204402 |
| W 15 L FZ | 3201207 | W 15 L Zn | 3201207 |
| W 15 L SF | 3204111 | W 15 L AISI 316 | 3204111 |
| W 18 L FZ | 3201208 | W 18 L Zn | 3201208 |
| W 18 L SF | 3204112 | W 18 L AISI 316 | 3204112 |
| W 20 S FZ | 902971 | W 20 S Zn | 902971 |
| W 22 L FZ | 3201209 | W 22 L Zn | 3201209 |
| W 25 S SF | 906756 | W 25 S AISI 316 | 906756 |
| W 28 L FZ | 3201220 | W 28 L Zn | 3201220 |
| W 28 L SF | 3204401 | W 28 L AISI 316 | 3204401 |
| W 30 S FZ | 906431 | W 30 S Zn | 906431 |
| W 35 L SF | 906369 | W 35 L AISI 316 | 906369 |

| T-skarvkoppling Typ T | Art.nr: | T-connector, type T | Art.No: |
|----------------------------------|----------------|--------------------------------|----------------|
| T 4 LL FZ | 3201001 | <i>T 4 LL Zn</i> | 3201001 |
| T 6 L SF | 3204002 | <i>T 6 L AISI 316</i> | 3204002 |
| T 6 LL FZ | 3201002 | <i>T 6 LL Zn</i> | 3201002 |
| T 8 L FZ | 904042 | <i>T 8 L Zn</i> | 904042 |
| T 8 L SF | 902997 | <i>T 8 L AISI 316</i> | 902997 |
| T 10 L FZ | 3201006 | <i>T 10 L AISI 316</i> | 3201006 |
| T 10 L SF | 3204001 | <i>T 10 L AISI 316</i> | 3204001 |
| T 12 L FZ | 3201004 | <i>T 12 L Zn</i> | 3201004 |
| T 12 L SF | 3204004 | <i>T 12 L AISI 316</i> | 3204004 |
| T 12 S FZ | 3201011 | <i>T 12 S Zn</i> | 3201011 |
| T 12 S SF | 3204007 | <i>T 12 S AISI 316</i> | 3204007 |
| T 15 L FZ | 3201007 | <i>T 15 L Zn</i> | 3201007 |
| T 16 S SF | 3204009 | <i>T 16 S AISI 316</i> | 3204009 |
| T 18 L FZ | 3201010 | <i>T 18 L Zn</i> | 3201010 |
| T 20 S FZ | 3201191 | <i>T 20 S Zn</i> | 3201191 |
| T 20 S SF | 3204006 | <i>T 20 S AISI 316</i> | 3204006 |
| T 22 L FZ | 3201005 | <i>T 22 L Zn</i> | 3201005 |
| T 22 L SF | 3204005 | <i>T 22 L AISI 316</i> | 3204005 |
| T 25 S FZ | 3201169 | <i>T 25 S Zn</i> | 3201169 |
| T 25 S SF | 3204000 | <i>T 25 S AISI 316</i> | 3204000 |
| T 28 L FZ | 3201008 | <i>T 28 L Zn</i> | 3201008 |
| T 28 L SF | 3204008 | <i>T 28 L AISI 316</i> | 3204008 |
| T 30 S FZ | 3201009 | <i>T 30 S Zn</i> | 3201009 |
| T 30 S SF | 3204198 | <i>T 30 S AISI 316</i> | 3204198 |
| T 35 L SF | 906368 | <i>T 35 L AISI 316</i> | 906368 |





**Ställbar vinkelkoppling
Typ EVW**

Art.nr:

**Adjustable elbow
connector, type EVW**

Art.No:

EVW 6 L FZ
EVW 6 S FZ

**900018
904832**

*EVW 6 L Zn
EVW 6 S Zn*

**900018
904832**

EVW 8 L FZ
EVW 8 L SF

**904076
903003**

*EVW 8 L Zn
EVW 8 L AISI 316*

**904076
903003**

EVW 10 L FZ

904077

EVW 10 L Zn

904077

EVW 12 L FZ
EVW 12 L SF

**904078
3204115**

*EVW 12 L Zn
EVW 12 L AISI 316*

**904078
3204115**

EVW 22 L SF

3204114

EVW 22 L AISI 316

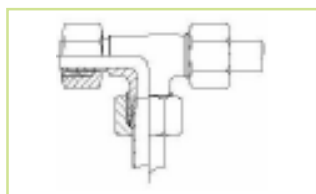
3204114

EVW 28 L SF

3204113

EVW 28 L AISI 316

3204113



**Ställbar L-koppling
Typ EVL**

Art.nr:

**Adjustable L-connector,
type EVL**

Art.No:

EVL 8 L FZ

902978

EVL 8 L Zn

902978



**Korsskarvkoppling
Typ K**

Art.nr:

**Cross connector,
Type K**

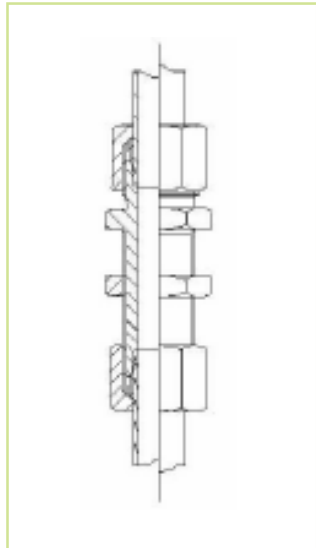
Art.No:

K 8 L FZ
K 8 L SF

**904017
903000**

*K 8 L Zn
K 8 L AISI 316*

**904017
903000**



**Rak skottgenomgång
Typ SV**

Art.nr:

**Straight bulkhead,
Type SV**

Art.No:

SV 4 LL FZ

3201048

SV 4 LL Zn

3201048

SV 6 L FZ
SV 6 L SF

**3201049
3204203**

*SV 6 L Zn
SV 6 L AISI 316*

**3201049
3204203**

SV 8 L FZ

3201050

SV 8 L Zn

3201050

SV 10 L SF

906413

SV 10 L AISI 316

906413

SV 12 L FZ
SV 12 L SF

**3201051
3204051**

*SV 12 L Zn
SV 12 L AISI 316*

**3201051
3204051**

SV 22 L FZ

3201240

SV 22 L Zn

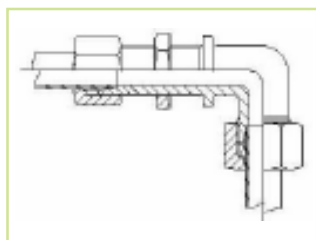
3201240

SV 25 S FZ

3201241

SV 25 S Zn

3201241



**Vinkelskottgenomgång
Typ WSV**

Art.nr:

**Bulkhead elbow,
Type WSV**

Art.No:

WSV 6 L FZ
WSV 6 L SS

**904072
903057**

*WSV 6 L Zn
WSV 6 L AISI 316*

**904072
903057**

WSV 8 L FZ

904073

WSV 8 L Zn

904073

WSV 10 L FZ

904074

WSV 10 L Zn

904074

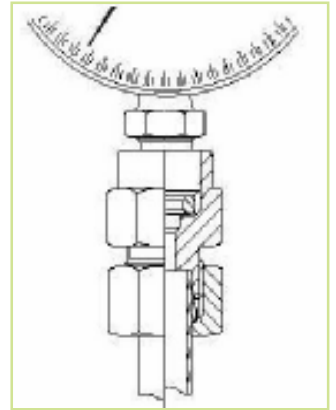
WSV 12 L FZ
WSV 12 L SF
WSV 12 L SF

**3201106
904075
906825**

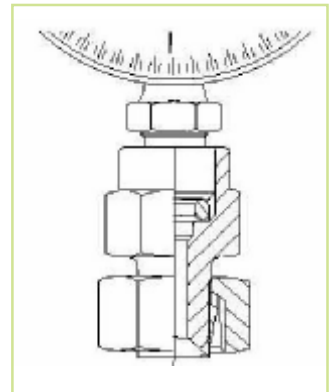
*WSV 12 L Zn
WSV 12 L Zn
WSV 12 L AISI 316*

**3201106
904075
906825**

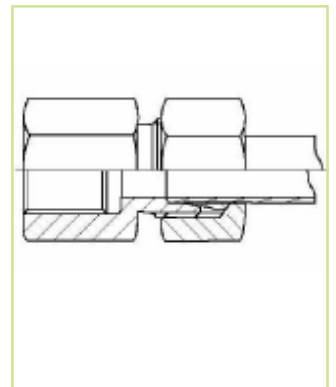
| Manometerkoppling Typ MAV | Art.nr: | Manometer coupling, type MAV | Art.No: |
|--------------------------------------|----------------|---|----------------|
| MAV 4 LL ISO-G1/4 FZ | 900649 | MAV 4 LL Zn | 900649 |
| MAV 6 L ISO-G1/4 FZ | 900650 | MAV 6 LR Zn | 900650 |
| MAV 8 L ISO-G1/4 FZ | 900651 | MAV 8 L ISO-G1/4 Zn | 900651 |
| MAV 8 S ISO-G1/2 FZ | 904024 | MAV 8 S ISO-G1/2 Zn | 904024 |
| MAV 12 L ISO-G1/4 FZ | 900653 | MAV 12 L ISO-G1/4 Zn | 900653 |



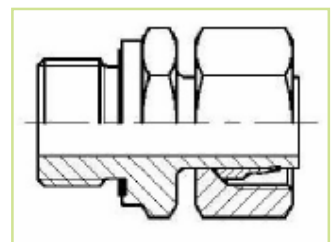
| Manometerkoppling förmonterad mutter och skärring Typ MAV-EV | Art.nr: | Manometer coupling, pre-assembled nut and cut ring type MAV-EV | Art.No: |
|---|----------------|---|----------------|
| MAV-EV 12 S ISO-G1/2 FZ | 902970 | MAV-EV 12 S ISO-G1/2 Zn | 902970 |

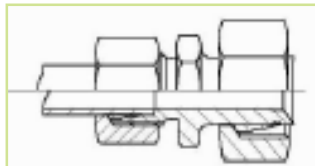


| Rak koppling med invändig gänga Typ GAI | Art.nr: | Straight connector, female, type GAI | Art.No: |
|--|----------------|---|----------------|
| GAI 6 L ISO-G1/8 SF | 903018 | GAI 6 L ISO-G1/8 AISI 316 | 903018 |
| GAI 8 L ISO-G1/4 FZ | 904013 | GAI 8 L ISO-G1/4 Zn | 904013 |
| GAI 15 L ISO-G1/2 FZ | 904014 | GAI 15 L ISO-G1/2 Zn | 904014 |
| GAI 22 L ISO-G3/4 FZ | 906595 | GAI 22 L ISO-G3/4 Zn | 906595 |



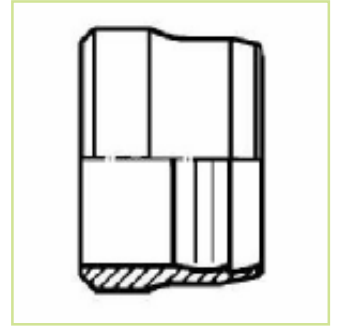
| Rak inskravningsstuds Typ EVGE | Art.nr: | Straight connector, type EVGE | Art.No: |
|---|----------------|--|----------------|
| EVGE 8 L ISO-G1/4 SF | 905996 | EVGE 8 L ISO-G1/4 AISI 316 | 905996 |
| EVGE 8 S ISO-G1/4 FZ | 903982 | EVGE 8 S ISO-G1/4 Zn | 903982 |
| EVGE 10 L ISO-G1/4 SF | 903055 | EVGE 10 L ISO-G1/4 AISI 316 | 903055 |
| EVGE 12 L ISO-G1/2 FZ | 906305 | EVGE 12 L ISO-G1/2 Zn | 906305 |
| EVGE 12 S ISO-G1/2 FZ | 902973 | EVGE 12 S ISO-G1/2 Zn | 902973 |

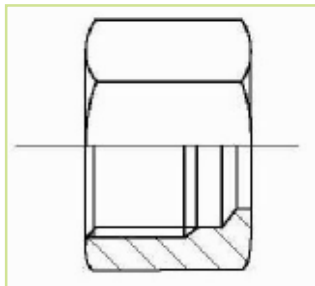




| Konreducering Typ KOR | Art.nr: | Cone reducing, Type KOR | Art.No: |
|----------------------------------|----------------|------------------------------------|----------------|
| KOR 6/4 LL FZ | 904021 | KOR 6/4 LL Zn | 904021 |
| KOR 8/4 LL FZ | 904727 | KOR 8/4 LL Zn | 904727 |
| KOR 8/6 L FZ | 3201041 | KOR 8/6 L Zn | 3201041 |
| KOR 8/6 L SF | 3204107 | KOR 8/6 L AISI 316 | 3204107 |
| KOR 10/6 L FZ | 3201040 | KOR 10/6 L Zn | 3201040 |
| KOR 10/8 L FZ | 904102 | KOR 10/8 L Zn | 904102 |
| KOR 12/6 L FZ | 3201042 | KOR 12/6 L Zn | 3201042 |
| KOR 12/6 L SF | 3204042 | KOR 12/6 L AISI 316 | 3204042 |
| KOR 12/8 L FZ | 906478 | KOR 12/8 L Zn | 906478 |
| KOR 12/8 L SF | 903021 | KOR 12/8 L AISI 316 | 903021 |
| KOR 12/10 FZ | 3201045 | KOR 12/10 Zn | 3201045 |
| KOR 12/10 L SF | 3204108 | KOR 12/10 L AISI 316 | 3204108 |
| KOR 15/12 L FZ | 3201047 | KOR 15/12 L Zn | 3201047 |
| KOR 15/12 L SF | 906594 | KOR 15/12 L AISI 316 | 906594 |
| KOR 20/12 S FZ | 3201108 | KOR 20/12 S Zn | 3201108 |
| KOR 22/12 L FZ | 3201043 | KOR 22/12 L Zn | 3201043 |
| KOR 22/12 L SF | 3204043 | KOR 22/12 L AISI 316 | 3204043 |
| KOR 22/15 L | 3201096 | KOR 22/15 L | 3201096 |
| KOR 22/15 L SF | 3204110 | KOR 22/15 L AISI 316 | 3204110 |
| KOR 25/12 S FZ | 3201165 | KOR 25/12 S Zn | 3201165 |
| KOR 25/12 S SF | 3204092 | KOR 25/12 S AISI 316 | 3204092 |
| KOR 25/20 S SF | 3204094 | KOR 25/20 S AISI 316 | 3204094 |
| KOR 28/12 L FZ | 3201095 | KOR 28/12 L Zn | 3201095 |
| KOR 28/12 L SF | 3204093 | KOR 28/12 L AISI 316 | 3204093 |
| KOR 28/18 L SF | 3204109 | KOR 28/18 L AISI 316 | 3204109 |
| KOR 28/22 L FZ | 3201046 | KOR 28/22 L Zn | 3201046 |
| KOR 28/22 L SF | 3204027 | KOR 28/22 L AISI 316 | 3204027 |
| KOR 30/12 S FZ | 3201044 | KOR 30/12 S Zn | 3201044 |
| KOR 30/25 FZ | 906249 | KOR 30/25 Zn | 906249 |

| Skärring Typ DPR | Art.nr: | Cut ring, type DPR | Art.No: |
|-----------------------------|----------------|-------------------------------|----------------|
| DPR 4 LL FZ | 3201065 | <i>DPR 4 LL Zn</i> | 3201065 |
| DPR 6 L/S SF | 3204066 | <i>DPR 6 L/S AISI 316</i> | 3204066 |
| DPR 6 L/S FZ | 900594 | <i>DPR 6 L/S Zn</i> | 900594 |
| DPR 6 LL FZ | 3201067 | <i>DPR 6 LL Zn</i> | 3201067 |
| DPR 6 LL SF | 3204067 | <i>DPR 6 LL AISI 316</i> | 3204067 |
| DPR 8 L/S SF | 902998 | <i>DPR 8 L/S AISI 316</i> | 902998 |
| DPR 8 L/S FZ | 900595 | <i>DPR 8 L/S Zn</i> | 900595 |
| DPR 8 LL FZ | 3201069 | <i>DPR 8 LL Zn</i> | 3201069 |
| DPR 10 L/S FZ | 3201072 | <i>DPR 10 L/S Zn</i> | 3201072 |
| DPR 10 L/S SF | 3204064 | <i>DPR 10 L/S AISI 316</i> | 3204064 |
| DPR 10 LL | D10-LL | <i>DPR 10 LL Zn</i> | D10-LL |
| DPR 12 L/S SF | 3204070 | <i>DPR 12 L/S AISI 316</i> | 3204070 |
| DPR 12 L/S FZ | 3201070 | <i>DPR 12 L/S Zn</i> | 3201070 |
| DPR 15 L FZ | 3201074 | <i>DPR 15 L Zn</i> | 3201074 |
| DPR 15 L SF | 3204072 | <i>DPR 15 L AISI 316</i> | 3204072 |
| DPR 18 L FZ | 3201160 | <i>DPR 18 L Zn</i> | 3201160 |
| DPR 18 L SF | 3204069 | <i>DPR 18 L AISI 316</i> | 3204069 |
| DPR 20 S FZ | 3201167 | <i>DPR 20 S Zn</i> | 3201167 |
| DPR 20 S SF | 906663 | <i>DPR 20 S AISI 316</i> | 906663 |
| DPR 22 L FZ | 3201071 | <i>DPR 22 L Zn</i> | 3201071 |
| DPR 22 L SF | 3204071 | <i>DPR 22 L AISI 316</i> | 3204071 |
| DPR 25 S FZ | 3201168 | <i>DPR 25 S Zn</i> | 3201168 |
| DPR 25 S SF | 3204065 | <i>DPR 25 S AISI 316</i> | 3204065 |
| DPR 28 L FZ | 3201073 | <i>DPR 28 L Zn</i> | 3201073 |
| DPR 28 L SF | 3204073 | <i>DPR 28 L AISI 316</i> | 3204073 |
| DPR 30 S FZ | 3201090 | <i>DPR 30 S Zn</i> | 3201090 |
| DPR 30 S SF | 906394 | <i>DPR 30 S AISI 316</i> | 906394 |





| Mutter Typ M | Art.nr: | Nut, Type M | Art.No: |
|-------------------------|----------------|------------------------|----------------|
| M 4 LL FZ | 902773 | <i>M 4 LL Zn</i> | 902773 |
| M 6 L FZ | 3201166 | <i>M 6 L Zn</i> | 3201166 |
| M 6 L SF | 3204044 | <i>M 6 L AISI</i> | 3204044 |
| M 6 LL FZ | 3201060 | <i>M 6 LL Zn</i> | 3201060 |
| M 6 LL SF | 3204045 | <i>M 6 LL AISI</i> | 3204045 |
| M 8 L FZ | 3201061 | <i>M 8 L Zn</i> | 3201061 |
| M 8 L SF | 902999 | <i>M 8 L AISI</i> | 902999 |
| M 10 L FZ | 3201063 | <i>M 10 L Zn</i> | 3201063 |
| M 12 L FZ | 3201062 | <i>M 12 L Zn</i> | 3201062 |
| M 12 L SF | 3204046 | <i>M 12 L AISI</i> | 3204046 |
| M 18 L FZ | 3201064 | <i>M 18 L Zn</i> | 3201064 |
| M 22 L FZ | 3201170 | <i>M 22 L Zn</i> | 3201170 |
| M 22 L SF | 3204047 | <i>M 22 L AISI</i> | 3204047 |
| M 28 L FZ | 907349 | <i>M 28 L FZ</i> | 907349 |
| M 28 L SF | 907350 | <i>M 28 L SF</i> | 907350 |
| M 30 S FZ | 907351 | <i>M 30 S FZ</i> | 907351 |



